



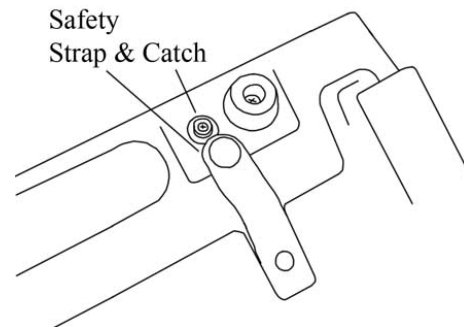
Deluxe XL Telescoping Pet Ramp Care & Use Guide

Congratulations on your purchase of the durable, easy-to-use Deluxe XL Telescoping Pet Ramp from SOLVIT Products. With proper care, your Pet Ramp should provide years of trouble-free service.

Because it's infinitely adjustable from 47 inches up to 89 inches long*, the XL Ramp is many ramps in one! Extend it all the way out for use with trucks/SUVs, grooming tables, etc., or slide it in for use in tight spaces such as a bed or couch. The high-traction walking surface makes it easy for pets to reach high places.

*For ease of operation, the ramp is set at the factory to extend to 84". If needed, the ramp can be set to extend to 89" by moving the stop blocks to the alternate holes on the aluminum rails. Using a Phillips screwdriver, push hard so the screws tap into the plastic material, but do not overtighten.

CAUTION: If the safety release strap (on underside of ramp, see image) is not engaged, it is possible for the ramp to extend automatically if held in a vertical position. Please use care when holding the ramp this way.



To use the Pet Ramp, simply set the angled, upper end on the surface to which the pet is trying to climb (car, couch, etc.), un-snap the safety release strap (if engaged), then pull out the inner slide to the required length and set it on the ground. Some users prefer to extend the ramp first, then place on the upper and lower surfaces. The advanced design of the ramp "locks itself" when weight is applied, so there is no need for extra devices to lock the ramp in position. When finished, simply push the inner slide back into the closed position, re-snap the safety release tab, if desired, and stow in a convenient place. The t-e-l-e-s-c-o-p-i-n-g design is the secret to making the SOLVIT Ramp so easy to use. It is important to make sure the rubber feet on the upper and lower ends of the ramp are resting firmly on a stable surface (car bumper, sidewalk, etc.) before using. If the rubber feet are not in contact, the ramp could shift when used.

CAUTION: The SOLVIT Pet Ramp is designed for use only by pets such as dogs, cats, and small animals. It is not intended to carry humans or heavy loads. Using the Ramp in this way voids the warranty and creates an unsafe situation! Please follow this guideline strictly.

Training: Many pets will begin using the Pet Ramp with no hesitation. If your pet is unsure at first, lay the Ramp flat on the ground and allow your pet to become comfortable walking on it before using it in an inclined position. It also helps to hold your pet by the collar and offer reassuring praise and/or treats as your pet gains confidence using the Ramp. For vehicle use, command your pet to stay inside the vehicle until the Ramp is deployed, then walk your pet down safely.

Cleaning & Maintenance: The aluminum rails on the ramp are pre-lubricated with household paraffin wax. Some of this wax may flake off after repeated use of the ramp. Re-application of this wax should not be necessary under normal use. If the plastic or aluminum parts of the Pet Ramp become dirty, simply clean with any standard household cleaner. The tread material can be cleaned with mild detergent and a stiff brush, or a strong jet of water. The Ramp should be maintenance-free. If a problem occurs, or a replacement handle or rubber feet are needed, please contact Customer Service below.

Warranty: The Pet Ramp is warranted to be free from defects in materials or workmanship for a period of one (1) year from date of purchase.